

## GSDH-P Adjustable Drop Hinge

### Features

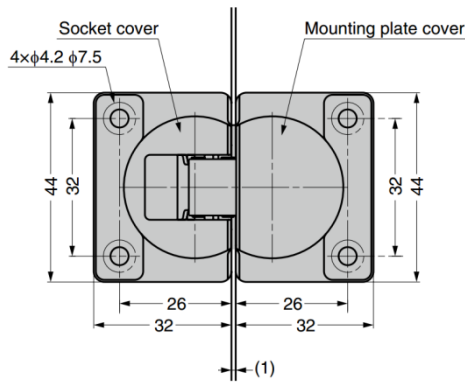
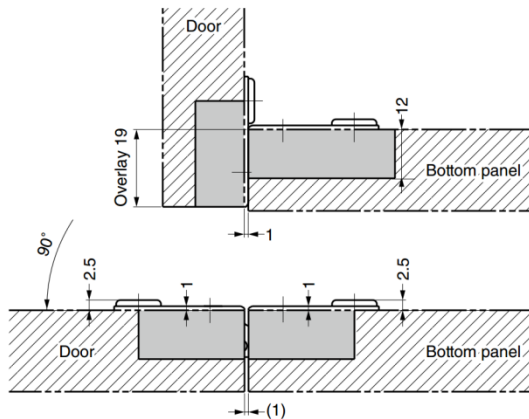
- 3-way adjustment.
- Overlay: 16 ~ 19 mm, Horizontal:  $\pm 1$  mm, Door gap: 1 ~ 3 mm
- Can be used with soft-down stays **GSDS-100**, **GSDS-100TV**, **GNSDX-10(R/L)**, **GNSDX-10(R/L)K-TV**, **GCSD-10-TV**
- Bore depth: 12 mm

### Notes

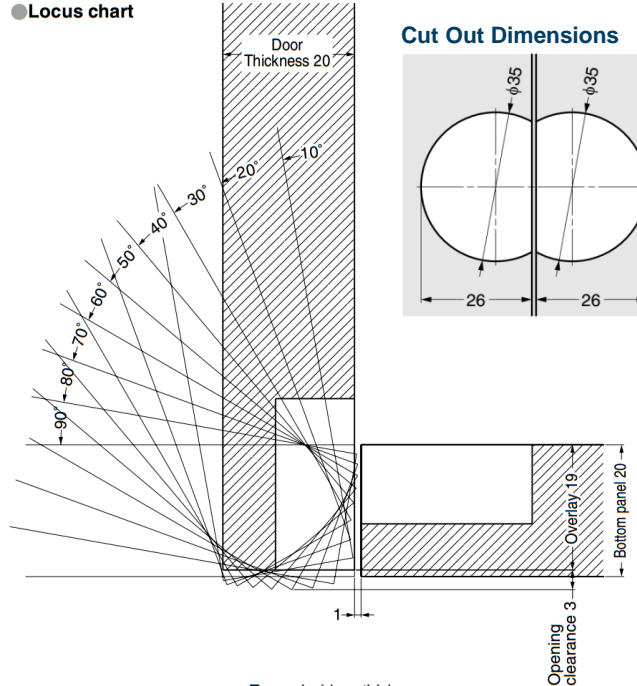
- Hinges and covers are packed separately
- Recommended screws: Pan head tapping screw 3.5x15



### ● Outline drawing

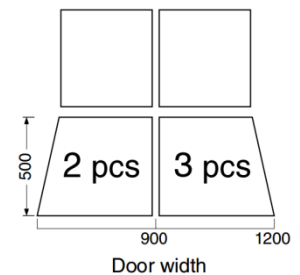
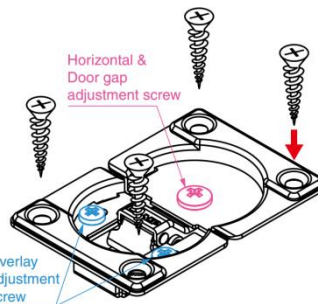


### ● Locus chart



Example (door thickness :  
20 mm / bottom panel : 20 mm / overlay : 19 mm)

In case of door thickness up to 20 mm. Material: Particle board.



### Drop Hinge + Cover

Part No.
GSDH-P-BL-SET
GSDH-P-WT-SET
GSDH-P-NI-SET

### Drop Hinge

Part No.	Material	Finish	Overlay	Door Thickness	Opening Angle
GSDH-P	Steel	Nickel	16 ~ 19	16 ~ 20	90°

### Cover Set (socket cover + mounting plate cover)

Part No.	Styles	Material	Finish / Colour
GSDH-PC-BL	Socket Cover + Mounting Plate Cover	ABS	Black
GSDH-PC-WT			White
GSDH-PC-NI			Nickel